



SHSCHEMATICS AND PARTS LIST

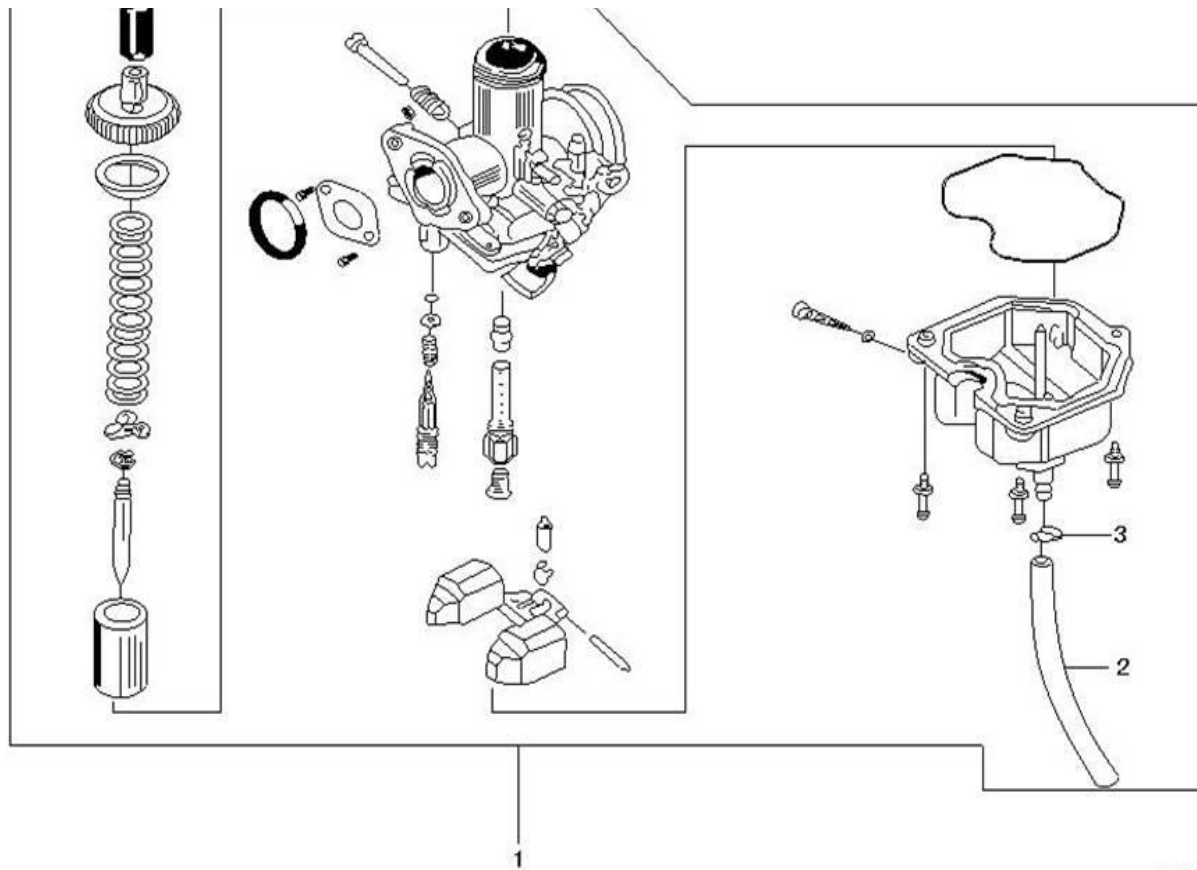
# INFORMATION:

1	Notice: Pictures shown are for reference only and does not mean that this photo is exact part, the same photo maybe used in other parts lists, if s shows the parts and not the design or specification
2	THIS MANUAL JUST FOR YOUR REFERENCE TO ORDER SPARE PARTS FOR THE MODEL OF AGB-21F 2011 EDITION
3	PLS WRITE DOWN THE QUANTITY OF THE PARTS YOU WANT TO ORDER IN THE COLUMN OF "Order qty."
4	PLS TURN TO THE COLUMN OF "Remark" WHEN YOU THINK IT IS NECESSARY TO KEEP OUR AFTER MARKET OFFICER INFORMED.
5	IF THE PARTS THAT ARE NOT LISTED, BUT YOU WOULD LIKE TO ORDER , PLS FILL OUT THE PARTS NAME IN THE BOTTOM OF THIS SHEET.
6	PLS DON'T MAKE ANY CHANGE TO THE ORIGINAL INFO SHOWN IN THIS SHEET!
7	WE ARE VERY APPRECIATE YOUR ORDERING PARTS WITH THIS SHEET.
8	<b>Price Term : Ex works</b>



## 目录 INDEX

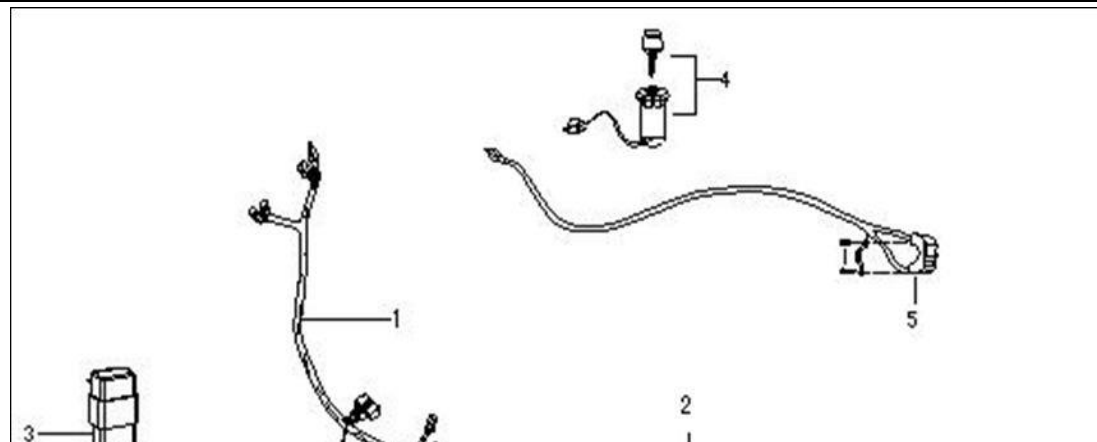
PAGE	DESCRIPTION
1	化油器 CARBURETOR
2	电器件 ELECTRIC
3	脚踏操纵件 PEADL CONTROLLER
4	手把操纵件 HANDLE CONTROLLER
5	空滤器/排气消声器 AIR FILTER/MUFFLER
6	油箱/油开关 FUEL TANK/FUEL COCK
7	前减震 FR.DAMPER
8	车体盖 SEAT/PLASTICS
9	前轮/前碟刹 FR.WHEEL/FR.BRAKE ASSY.
10	后轮/后碟刹 RR.WHEEL/RR.BRAKE ASSY.
11	方向把/方向柱 HANDLE BAR/STEERING STEM
12	后叉/车架 RR.SWING ARM/FRAME
13	脚踏/侧支架 FOOT PEG/KICK STAND

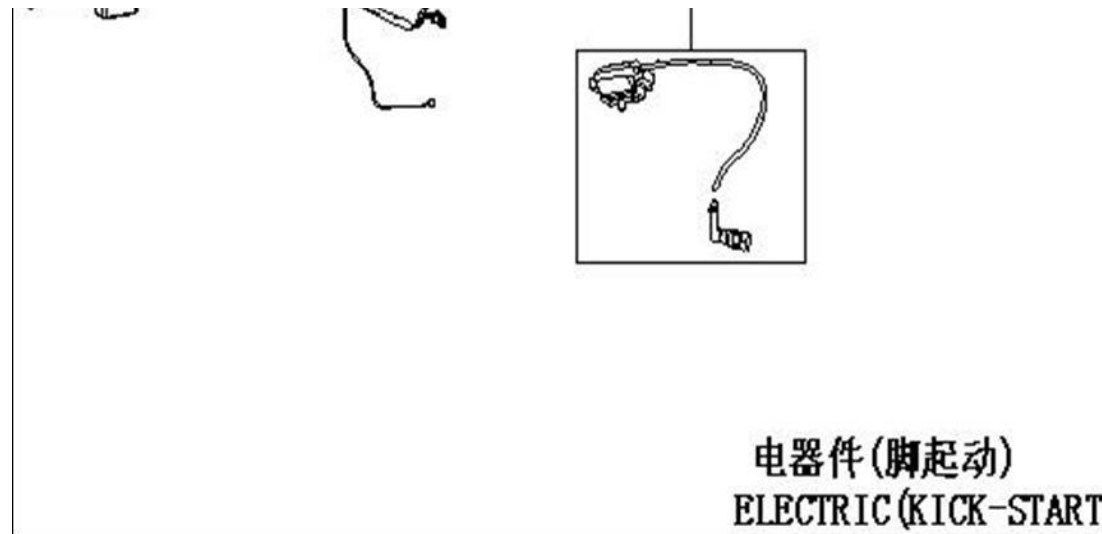


化油器  
CARBURETOR

化油器 CARBURETOR

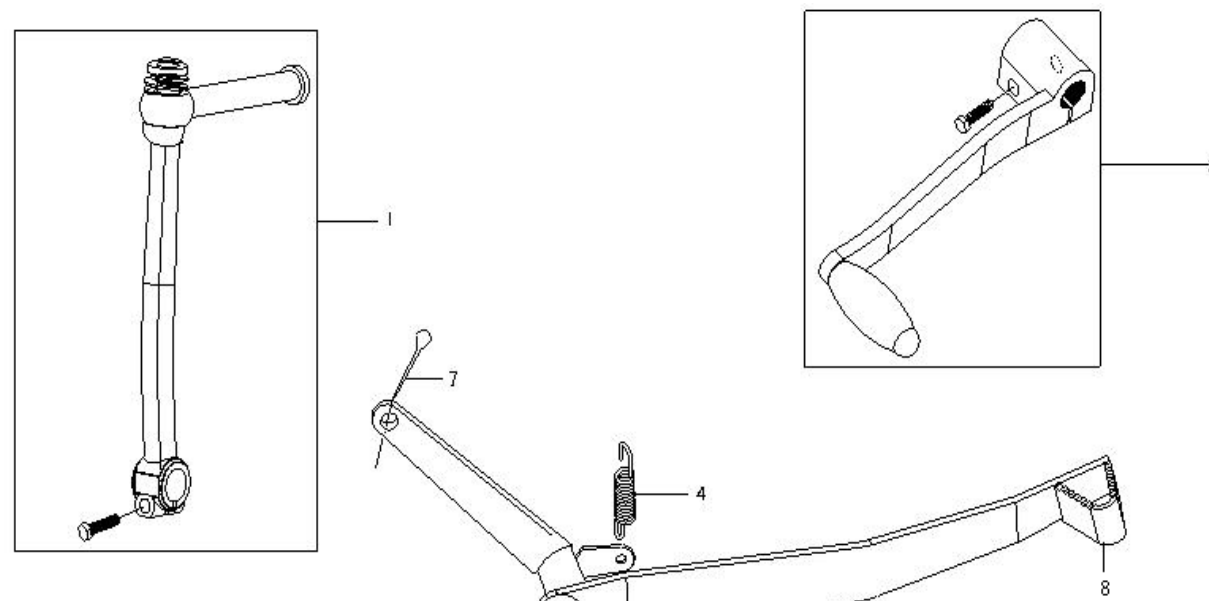
序号	件号	规格型号	英文名称	数量						
No.	Part No.	Type	English Description	Q'ty						
1	1400300030001	PZ19	CARBURETOR	1						

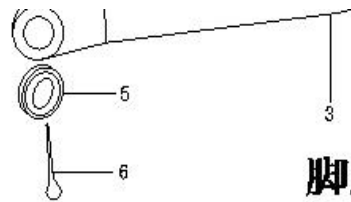




### 电零件 ELECTRIC

序号	件号	规格型号	英文名称	数量						
No.	Part No.	Type	English Description	Q'ty						
1	1100804010001	线束[21-脚-带由门锁 地线450]	HARNESS (KICK-START)	1						
2	1100100070110	21-DY100pb	COIL ASSY, IGNITION	1						
3	1100400010110	21-CG125CDI	CDI ASSY.	1						
4	1100700010010	四线二档(通用)	IGNITION KEY ASSY	1						
5	1100500020001	脚起动-750mm	STOP SWITCH ASSY(KICK-START)	1						

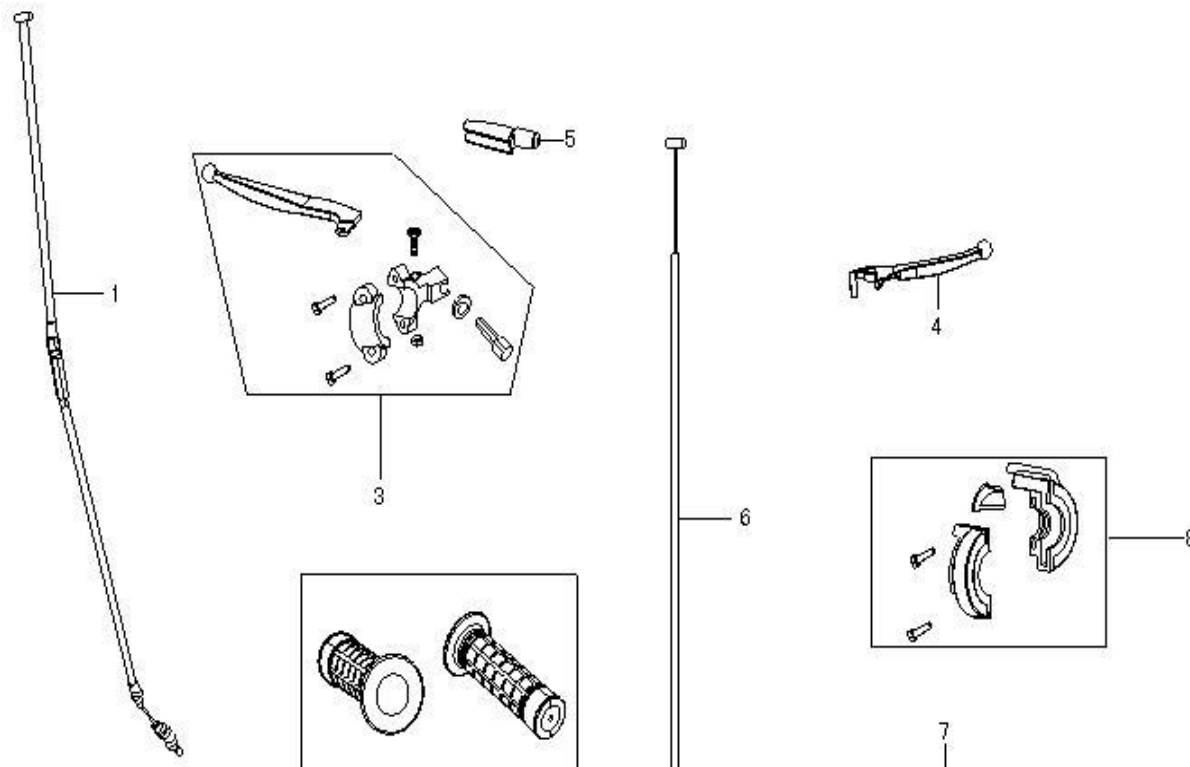




脚踏操纵件  
PEDAL CONTROLLER

脚踏操纵件 PEDAL CONTROLLER

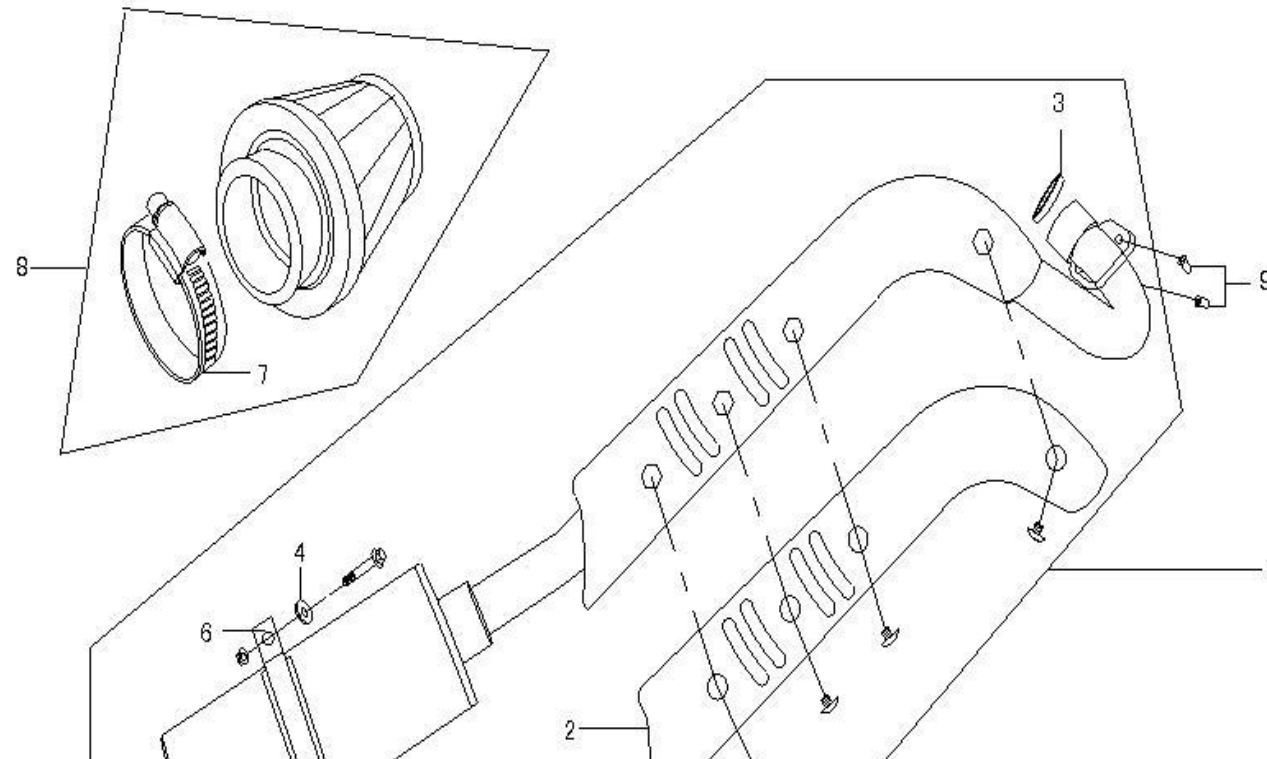
序号	件号	规格型号	英文名称	数量						
No.	Part No.	Type	English Description	Q'ty						
1	2020701010001	卧50-140CC(鑫源.邦恩.宗申)	KICK STARTER	1						
2	2020702010001	卧式50-140CC(鑫源.宗申.邦)	SHIFT PEDAL	1						
3	0701900150310	21G-无杆头	REAR.BRAKE PEDAL	1						
4	0803202130107	62mmX 2mm	SPRING	1						
5	0820103011501	Φ 15X Φ 27X1.5	WASHER	1						
6	0801901020101	Φ 2.5X40mm	PIN Φ 2.5×40	1						
7	0801901070101	Φ 1.5X30mm	PIN Φ 1.5×20	1						



手把操纵件  
HANDLE CONTROLLER

手把操纵件 HANDLE CONTROLLER

序号	件号	规格型号	英文名称	数量						
No.	Part No.	Type	English Description	Q'ty						
1	1401000370001	长850mm_露71mm_双截形	CABLE ASSY, CLUTCH	1						
2	0900100070010	APL-II-PPR	GRIP ASSY.	1						
3	0100600010510	21D-铝-不可折叠	CLUTCH LEVER ASSY.	1						
4	0101200010510	21D-铝-不可折叠	MASTER CYLINDER	1						
5	0900400010010	APL-I	DUST COVER, CLUTCH CABLE	1						
6	1400900350001	长660mm. 露110mm	THROTTLE CABLE	1						
7	0500800010501	铝. APL-I	ADJUST NUT, THROTTLE CABLE	1						
8	0100500010510	通用	HOLDER ASSY, THROTTLE	1						

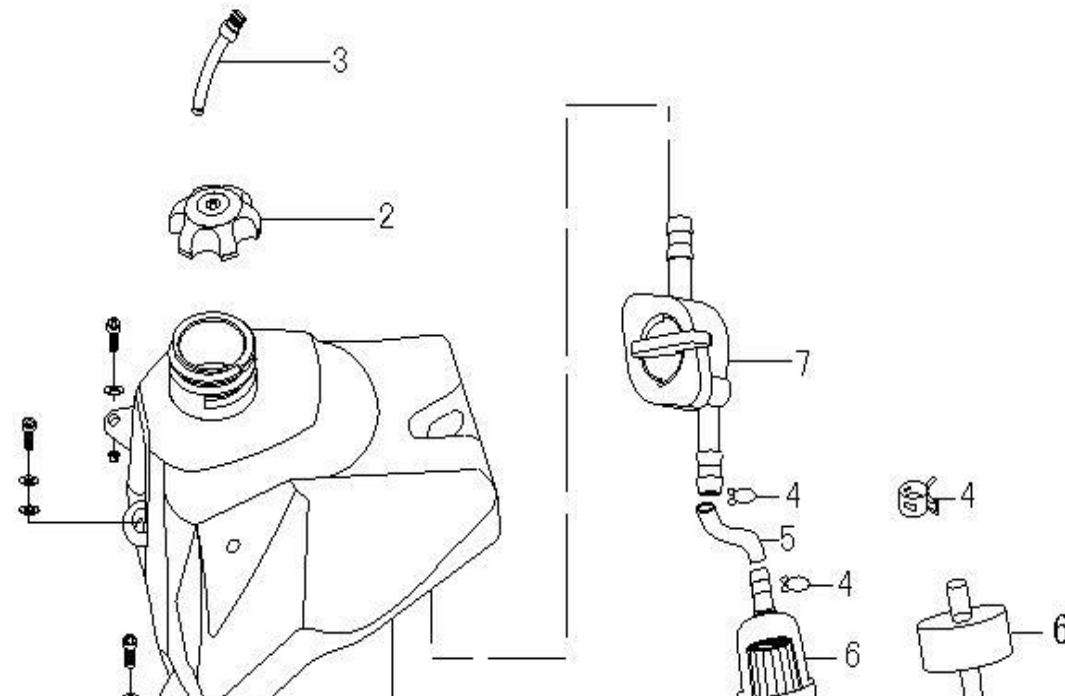


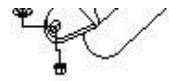


## 空滤器/排气消声器 AIR FILTER/MUFFLER

### 空滤器/消声器 AIR FILTER/MUFFLER

序号	件号	规格型号	英文名称	数量						
No.	Part No.	Type	English Description	Q'ty						
1	0700700020201	21D	EXHAUST MUFFLER ASSY.	1						
2	1401910020001	21系列	EXHAUST SHIELD	1						
3	1500400050001	50. 70. 110. 125. 140CC	EXHAUST PIPE SEAL	1						
4	0820110021501	φ 8X φ 22X2	WASHER φ 8× φ 16×2	1						
5	0900700010010	21D	RUBBER MAT	1						
6	0700800020201	21D	HOOP	1						
7	1400501020101	125. 140CC	CLAMP	1						
8	1400500250001	铁丝网-口径38mm	AIR FIFTER	1						
9	0800501011501	M6X14mm	NUT M16×14	2						





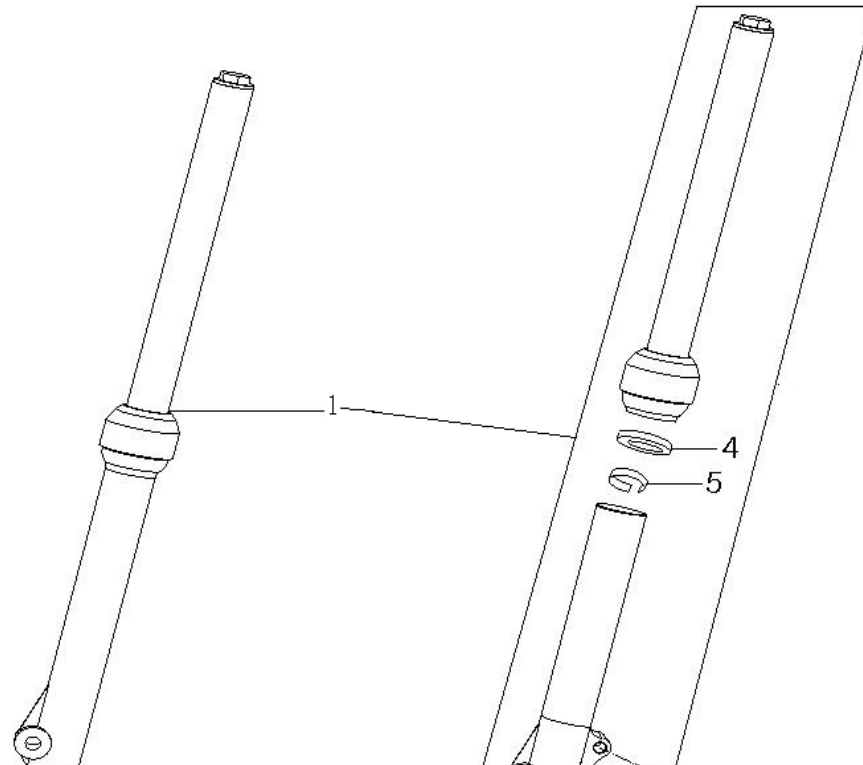
1



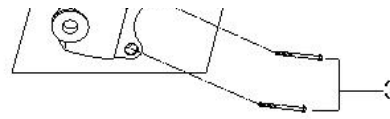
# 油箱/油开关 FUEL TANK/FUEL COCK

## 油箱/油开关 FUEL TANK/FUEL COCK

序号	件号	规格型号	英文名称	数量						
No.	Part No.	Type	English Description	Q'ty						
1	1001000380010	21_新型_铁_铁油箱盖	FUEL TANK	1						
2	1001100150107	21_铁	CNC FUEL CAP	1						
4	0704500010101	∅ 7.5X1	HOSE CLAMP	1						
4	0704500070107	∅ 9X8X0.8	HOSE CLAMP	4						
5	0901000040010	∅ 4.5X∅ 10	FUEL HOSE	1						
6	1001800010001	通用	FUEL FILTER	1						
7	1400400010001	29	PET-COCK	1						



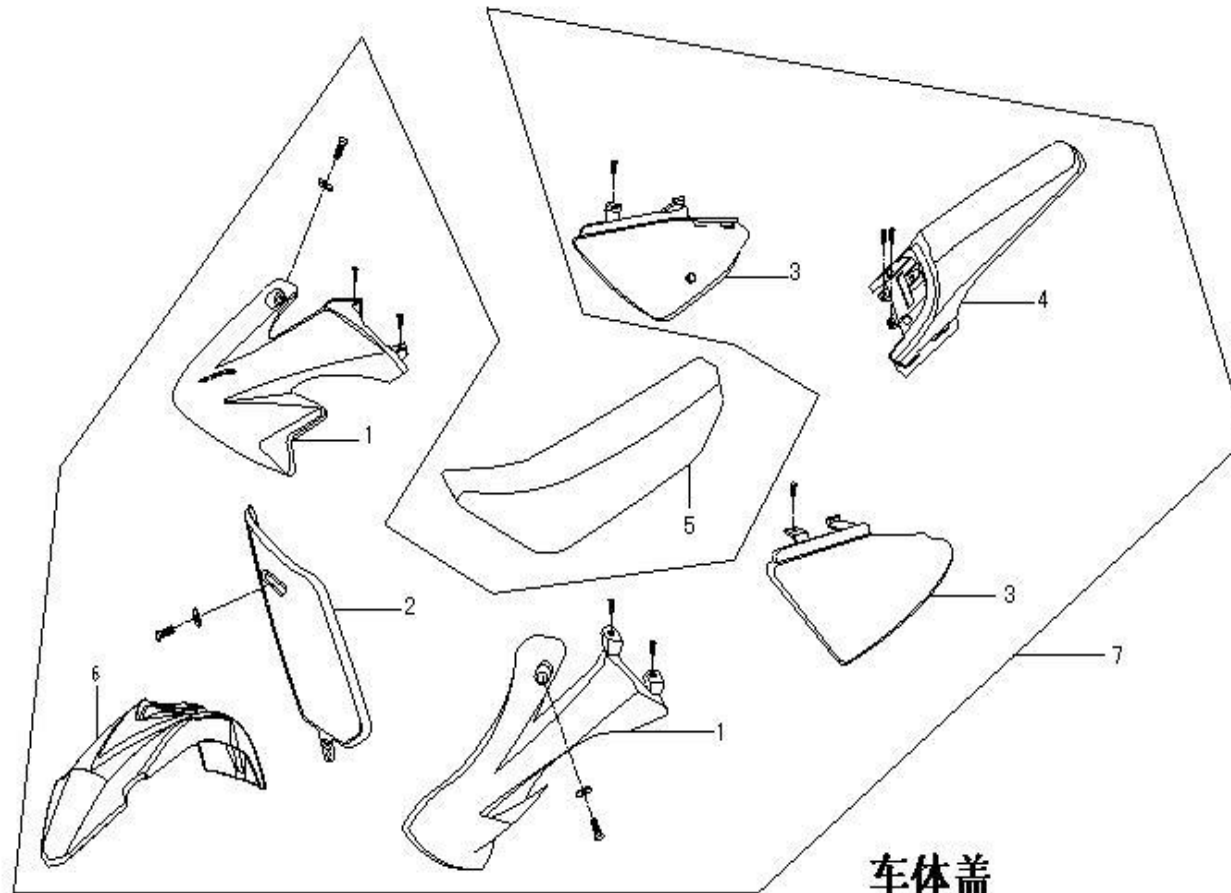




前减震  
FR. DAMPER

前减震 FR.DAMPER

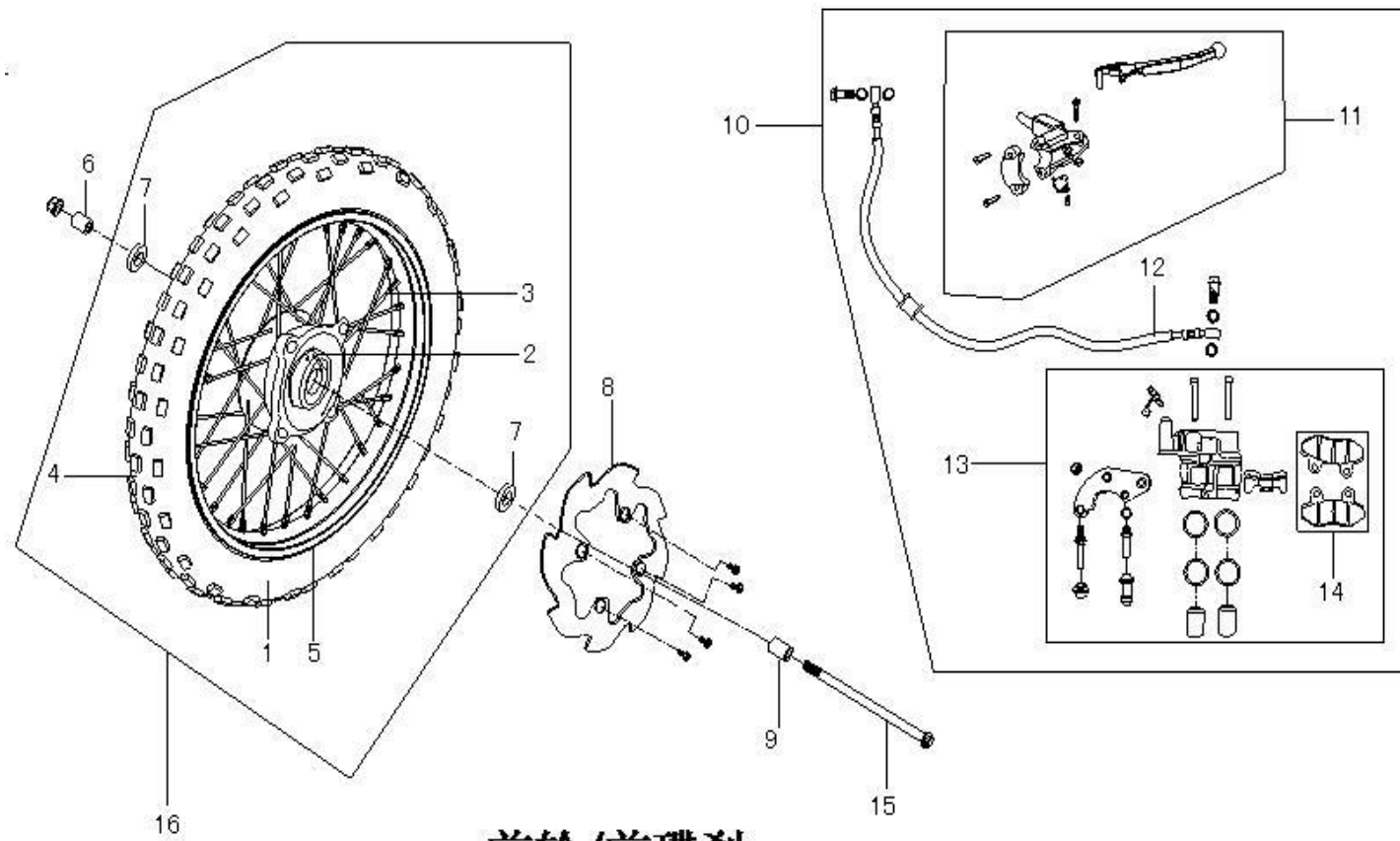
序号	件号	规格型号	英文名称	数量						
No.	Part No.	Type	English Description	Q'ty						
1	1401200020010	21D-顺置. 620mm. $\phi$ 33mm	ASSY FR.FORK	1						
3	0810205221501	M8X30mm	BOLT	2						
4	1806101010010	4#-33X46X11	OIL SEAL	1						
5	1401210020010	21D	RING, STEEL	1						



车体盖  
SEAT / PLASTICS

车体盖 SEAT / PLASTICS

序号	件号	规格型号	英文名称	数量						
No.	Part No.	Type	English Description	Q'ty						
1	1000200010010	21	L&R.F.SIDE COVER	1 PAIR						
2	1000400020010	21D	FRONT NUMBER PLATE	1						
3	1000300010010	21	L&R.R.SIDE COVER	1 PAIR						
4	1000800010010	21FG	TAIL FENDER	1						
5	1001200010010	21-弯	SEAT	1						
6	1001501020010	21F	FRONT FENDER	1						
9	1002710020002	21DEFG	Stickers(whole set)	1set						

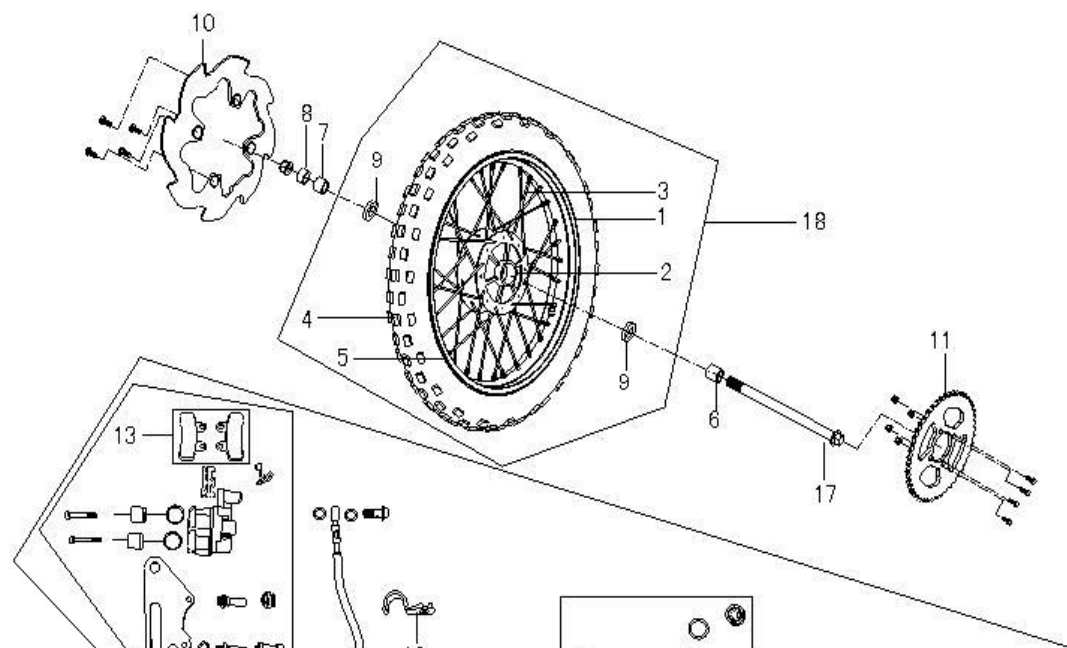


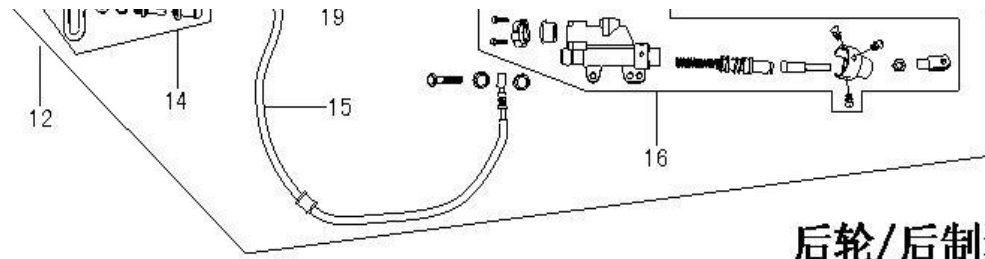
前轮/前碟刹  
FT. WHEEL / BRAKE ASSY

前轮/前碟刹 FR.WHEEL/FR. BRAKE ASSY.

序号	件号	规格型号	英文名称	数量						
----	----	------	------	----	--	--	--	--	--	--

No.	Part No.	Type	English Description	Q'ty						
1	0901201020010	2.50-14(振威)	INNER TUBE 14"	1						
2	0704801020001	F-M12-1.4X14(川崎)	FR. HUB 1.4×14 STEEL	1						
3	1806203020101	14"	SPOKE, FR. WHEEL 14"	32						
4	0901100040010	2.50-14(振威)	FR. TIRE 2.50-14	1						
5	0901103030010	14"	INNER TUBE PROTECTOR	1						
6	0703904130107	∅ 12.5X∅ 20X18.5mm	R. COLLAR, FR. WHEEL	1						
7	1806205100010	20X37	OIL SEAL	2						
8	0701301030001	29-D∅ 79X∅ 200	FRONT-BRAKE DISK	1						
9	0703904120107	∅ 12.5X∅ 20X17.5mm	L. COLLAR, FR. WHEEL	1						
10	1401501010010	21D-管长930mm_小双泵黑色	FR. DISK BRAKE ASSY.	1						
11	1401513030001	21D-带刹车把手	FRONT BRAKE UPPER OIL PUMP (INCLUDE HANDLE)	1						
12	0901701010010	21系列	FR, BRAKE HOSE	1						
13	1402901010001	21系列	FR, CALIPER ASSY.	1						
14	1401503010009	小A型	FR, BRAKE PAD	1						
15	0703901120107	M12X1.25X215mm	FRONT-WHEEL AXLE	1						
16	1401101020001	2.50-14	FRONT-WHEEL STEEL	1						

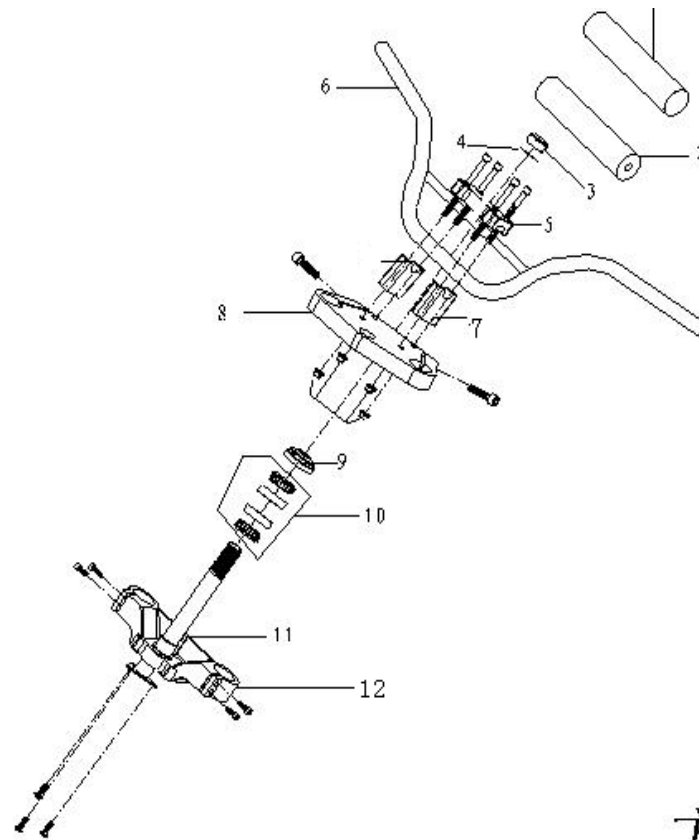




后轮/后制动器  
RR. WHEEL/RR. BRAKE ASSY.

后轮/后制动器 RR.WHEEL/RR. BRAKE ASSY.

序号	件号	规格型号	英文名称	数量						
No.	Part No.	Type	English Description	Q'ty						
1	0901201110010	3.00-12(振威)	INNER TUBE 12"	1						
2	0704802210001	F-M14-1.85X12(川崎)	RR. HUB 1.85×12 STEEL	1						
3	1806303020101	12"	INNER SPOKE, RR. WHEEL12"	32						
4	0901200040010	3.00-12(振威)	REAR TIRE 3.00-12	1						
5	0901103020010	12"	INNER TUBE PROTECTOR	1						
6	0703904140107	∅ 15.5X∅ 22X36mm	SPACER	1						
7	0703904070107	∅ 15.5X∅ 22X14mm	SPACER	1						
8	0703904080107	∅ 15.5X∅ 22X12mm	SPACER	1						
9	1806209020010	22X35	OIL SEAL	2						
10	0701302020001	29-D∅ 79X∅ 190	REAR-DISC	1						
11	0701800050101	428-110X43T	REAR SPROCKET	1						
12	1401502030010	21D-顶杆长60mm. 管长540mm	REAR BRAKE ASSY	1						
13	1401503050009	大A型	RR. BRAKE PAD SET	1						
14	1402902010001	21系列	RR, CALIPER ASSY.	1						
15	0901702010010	21系列	RR. BRAKE HOSE	1						
16	1402903020001	21系列	RR MASTER CYLINDER ASSY.	1						
17	0703903150107	M14X1.5X215mm	REAR-WHEEL AXLE	1						
18	1401701220001	3.00-12	REAR-WHEEL STEEL	1						
19	0703700010310	21D	VITA CLIP WEDGE	1						

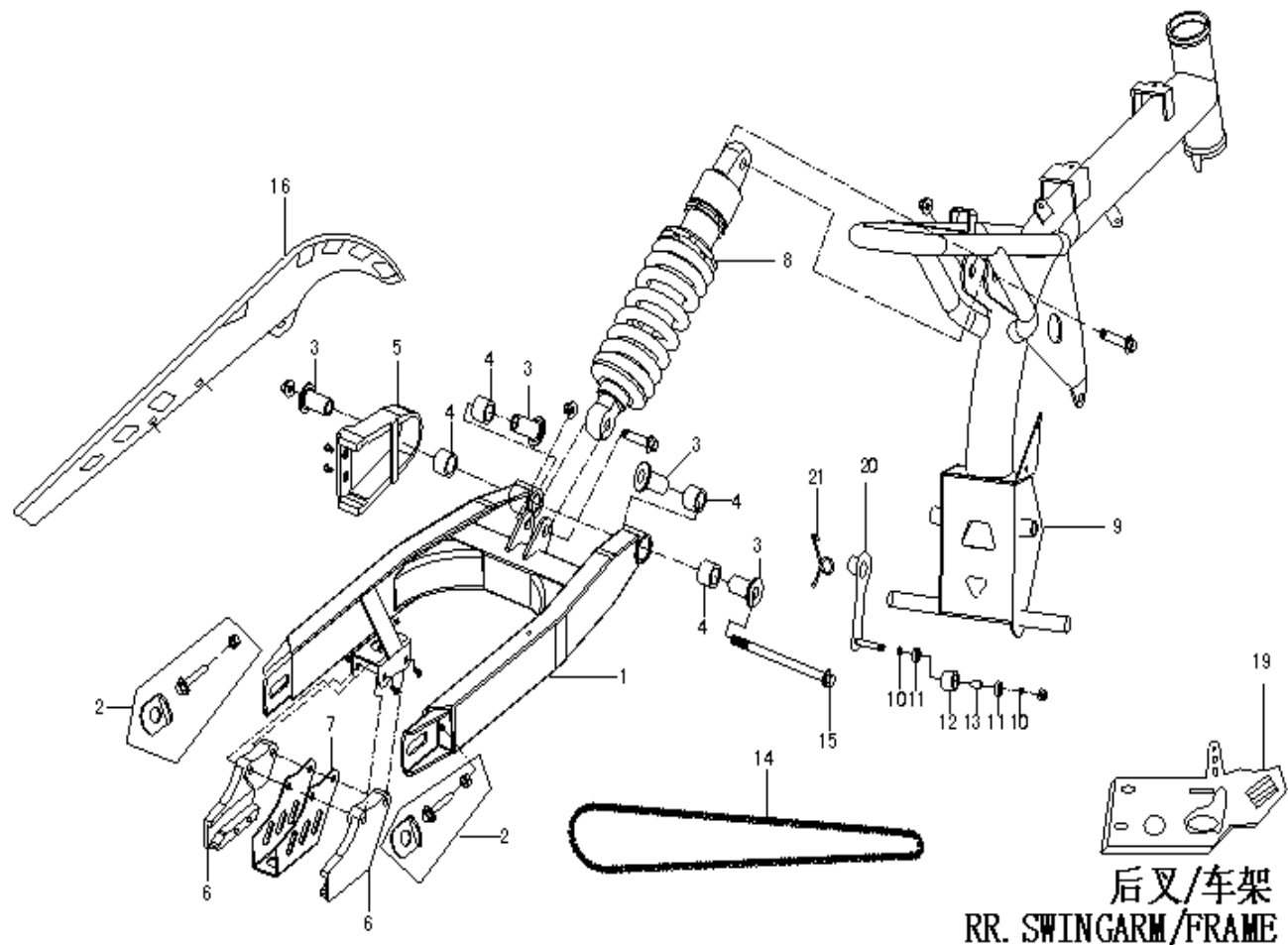


方向把/方向柱  
HANDLE BAR/STEERING STEM

方向把/方向柱 HANDLE BAR/STEERING STEM

序号	件号	规格型号	英文名称	数量						
No.	Part No.	Type	English Description	Q'ty						
1	1002016050010	27 (210mmX171mm)	CROSS BAR COVER	1						
2	1500500100001	29 (Φ 11X Φ 48X210mm)	CROSS BAR FOAM	1						
3	0701200010201	M22	NUT STEERING UPPER M22	1						
4	0820104011401	Φ 22X Φ 30X1	WASHER (STEEL)	1						
5	0100401010801	21D-20mm	HOULDER, HANDLE BAR	2						
6	0700900020411	21D-Φ 22mm×730mm_铁	HANDLE BAR	1						
7	0100402010801	21D-30mm	HOULDER, HANDLE BAR	2						
8	0100701010801	21D-打标识	UP TRIPLECLAMP	1						
9	0701100010101	M22	STEERING STEM LOCK NUT	1						

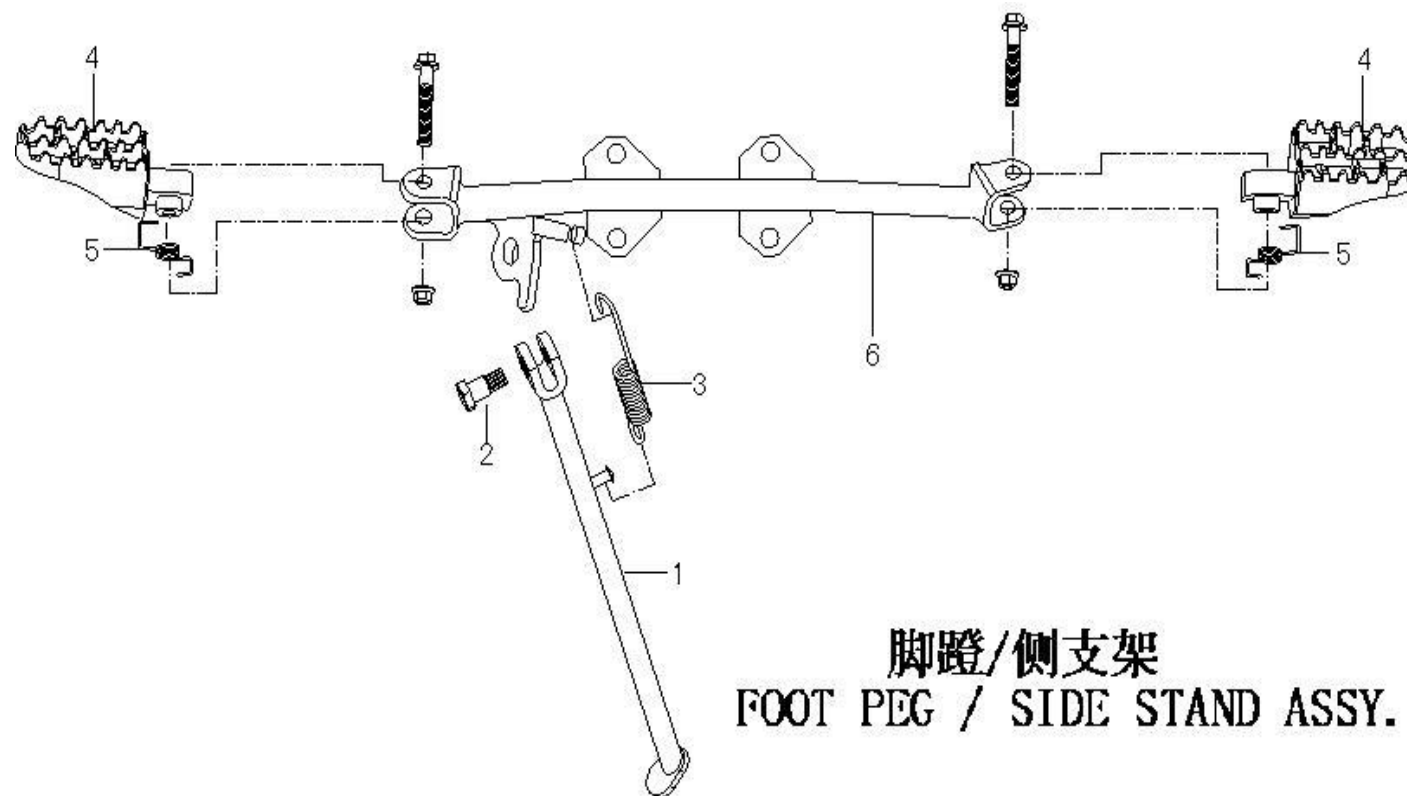
10	0804500010001	21系列. 34顺置(整套)	BEARING 32005	1 set					
11	0701000110107	21D	STEERING STEM ASSY	1					
12	0100702060801	21D	LOWER TRIPLECLAMP	1					



后叉/车架 RR. SWINGARM/FRAME

序号	件号	规格型号	英文名称	数量					
No.	Part No.	Type	English Description	Q'ty					
1	0700200060310	21FG	REAR SWING ARM ASSY	1					
2	0703500030111	21D-φ12轴孔	REAR WHEEL ADJUSTER	2					
3	0703800260107	φ10.5Xφ16X19mm(台阶28X	BUSHING	2					
4	0803301020101	HK1612	NEEDLE BEARING HK1612	2					
5	0900500020010	21D	REAR FORK DUST COVER	1					

6	1000700020010	21FG	LT.CHAIN-GUIDE BRACKET	1						
7	1401400020310	21FG	CHAIN GUIDE-BRACKET	1						
8	1401203040017	21F-26AR. 260*1200LB* $\phi$ 10	REAR SHOCK	1						
9	0700100500310	21DEFG	FRAME	1						
10	0710111050107	$\phi$ 9. 5X $\phi$ 12X3mm	COLLAR	2						
11	0803401030101	608Z	CHAIN ROLLER BEARING	2						
12	1401300020010	通用	CHAIN ROLLER (BOTTOM)	1						
13	0710112010107	$\phi$ 9X $\phi$ 12X12mm	COLLAR	1						
14	0701700070001	428-104节	CHAIN 428 $\times$ 104	1						
15	0703901141501	[M10X1. 25X215mm_10. 9级	MIDDLE AXLE BOLT	1						
16	1002300040010	半包型	CHAIN GUARD	1						
19	0703400040710	21-电	ENGINE SKLID PLATE (E-STAR	1						
20	0705508010107	21G	CHAIN ROLLER BRACKET	1						
21	0802902010107	21G	TORSING SPRING	1						



**脚踏/侧支架 FOOT PEGS / SIDE STAND**

序号	件号	规格型号	英文名称	数量						
No.	Part No.	Type	English Description	Q'ty						
1	0701600020310	280mm(开档6.5)	SIDE STAND	1						
2	0804401021501	M10X25mmX1.25(台阶φ12X1)	SIDE STAND BOLT M10×25	1						
3	<b>0803202010101</b>	115mm	SPRING FOR SIDE STAND	1						
4	<b>0400100020410</b>	21G- I	FOOT PEGS	1 PAIR						
5	<b>0802901060107</b>	21G-2	LT. SPRING. FR. FOOTREST	1 PAIR						
6	<b>0700400020310</b>	21DEFG	BRACKET FOR PEDAL	1						